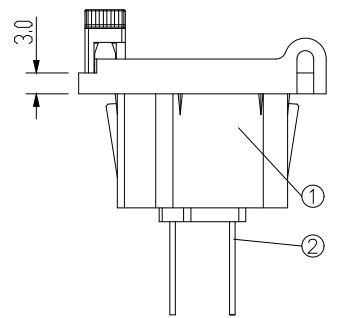
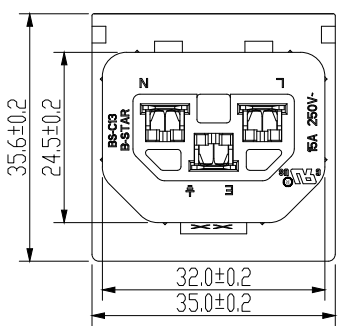


PANEL CUTOUT



Approvals :UL; CUL; ENEC; CCC



XX :1.0; 1.2; 1.5; 1.7; 2.0; 2.2; 2.5; 3.0

Part No.	Color
BS-C13-2AB-XX53A	Black
BS-C13-2AY-XX53A	Yellow
BS-C13-2AR-XX53A	Red
BS-C13-2AL-XX53A	Blue
BS-C13-2AW-XX53A	White

2	Soldering PIN 0.8t Tin-Plated	3
1	Body Insulator PC	1
5		
4		
3		
2		
1	ORIGINAL	2017-05-02
NO.	DESCRIPTION	APPROVED

GENERAL TOLERANCE(PLASTICS)		Approved	Checked	Designed	Drawn
GRADATION	TOLERANCE	Andy-Lee	Dick	Champion	Champion
X	±0.4				
X.X	±0.3				
X.XX	±0.1				
ANGLE	±1'	SHENZHEN B-STAR TEC. CO., LTD			

ALL SIZE ARE IN	MM	
SCALE	1.000	
MATERIAL NO.	DRAWING NO.	
BS-C13-2A#-XX53A	2017C002	